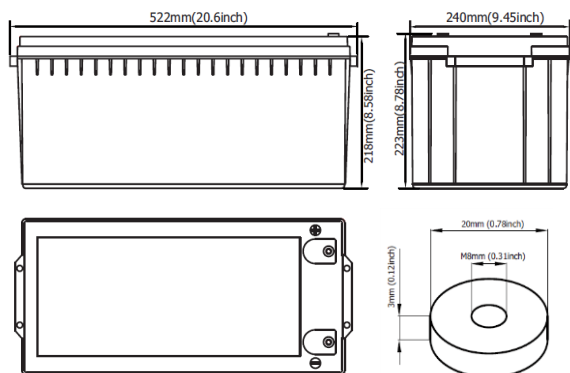




APPLICATIONS

- Solar & Wind power systems
- Power plants
- Uninterruptible Power Supply (UPS)
- Telecommunication systems
- Electric wheelchairs
- Golf carts
- Remote monitoring and controlling
- Water pumping systems

DIMENSIONS



SPECIFICATIONS

Nominal Voltage	12 V		
Number of cells	6		
Design Floating Life (20°C)	12 years		
Dimensions	Length	522 mm	
	Width	240 mm	
	Height	218 mm	
	Total Height	221 mm	
Weight	60.5 kg		
	Nominal Capacity (25°C)	120 hours rate (1.85)	239 Ah
		10 hours rate (1.80)	202 Ah
		5 hours rate (1.75)	168 Ah
1 hours rate (1.60)		121 Ah	
Internal Resistance (fully charged, 25°C)	3.3 mOhm		
Self Discharge	approx. 3% per month at 20°C		
Nominal Operating Temperature	25°C		
Operating Temperature range	Discharge	-15°C to 65°C	
	Charge	-10°C to 60°C	
	Storage	-20°C to 60°C	
Float Charging Voltage	2.27 to 2.30 V/cell at 25°C		
Temperature compensation	-18mV/°C		
Cyclic Charging Voltage	2.40 to 2.47 V/cell at 25°C		
Temperature compensation	-30mV/°C		
Maximum charging current	50 A		
Maximum discharge current (25°C)	2000 A (5 sec.)		
Short Circuit Current	3000 A		

PERFORMANCE DATA

Discharge Constant Current at 25°C (Amperes)

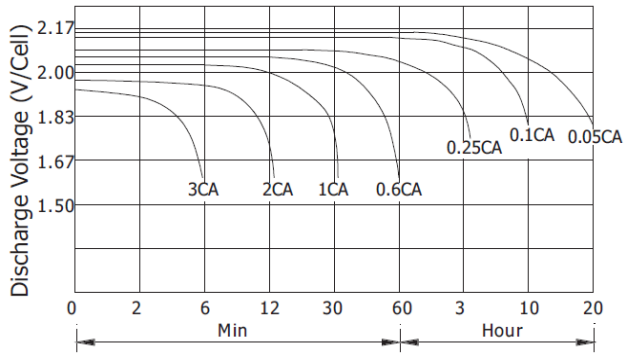
End Voltage (V/cell)	10min	15min	30min	45min	1h	2h	3h	4h	5h	8h	10h	20h	120h
1.60 V	402	307	194	155	121	72.9	49.5	39.2	34.3	24.4	20.7	10.6	----
1.65 V	391	300	190	152	119	72.3	49.2	38.9	34.1	24.1	20.6	10.6	----
1.70 V	375	289	184	147	116	71.7	48.8	38.7	33.7	24.0	20.5	10.5	----
1.75 V	359	279	180	144	114	70.6	48.5	38.4	33.5	23.8	20.3	10.5	----
1.80 V	338	264	173	139	110	68.9	47.1	37.3	32.5	23.1	20.2	10.4	2.02
1.85 V	333	260	170	137	109	67.9	46.4	36.7	32.1	22.8	19.9	10.3	1.99

Discharge Constant Power at 25°C (Watts/Cell)

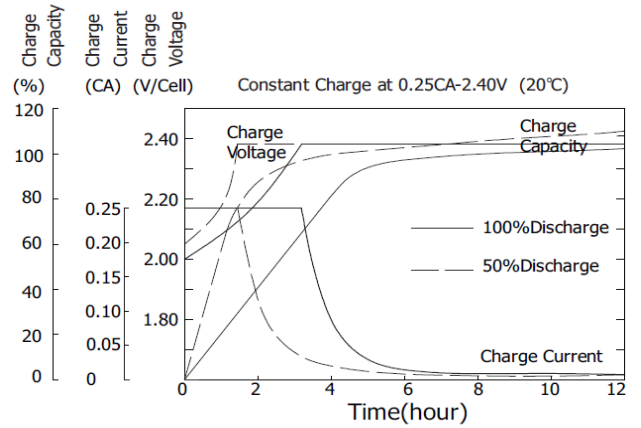
End Voltage (V/cell)	10min	15min	30min	45min	1h	2h	3h	4h	5h	8h	10h	20h	120h
1.60 V	758	561	362	297	230	140	96.9	76.7	68.4	48.8	41.3	22.0	----
1.65 V	740	548	355	293	227	140	96.2	76.2	68.0	48.0	41.0	21.9	----
1.70 V	707	529	345	284	221	138	95.7	75.8	67.8	47.7	40.7	21.8	----
1.75 V	679	511	337	279	217	137	95.0	75.3	67.2	47.1	40.4	21.7	----
1.80 V	640	483	324	269	210	133	92.3	72.9	65.4	46.0	40.1	21.0	4.01
1.85 V	630	476	319	265	207	131	90.9	71.8	64.5	45.3	39.5	20.7	3.95

Note: The above characteristics data can be obtained within three charge/discharge cycles.

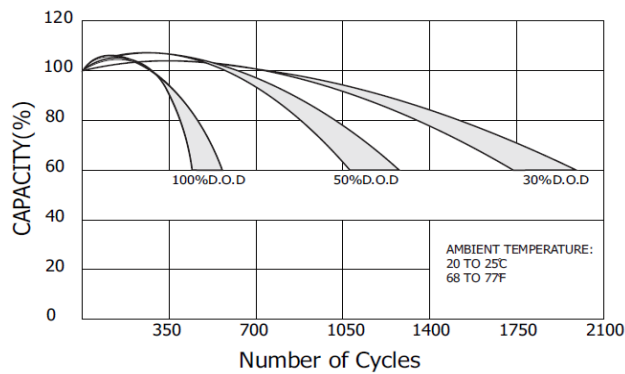
Discharge Characteristics (20°C)



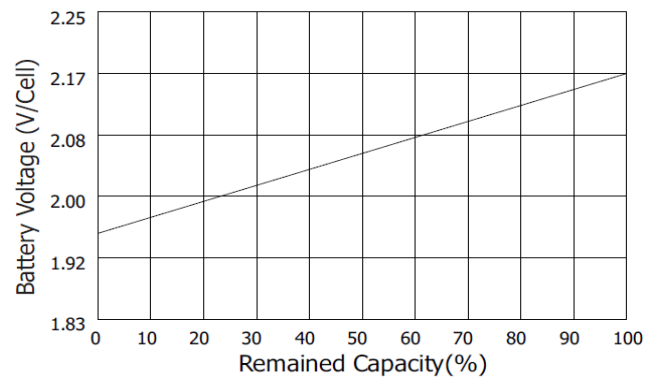
Charging Characteristics (20°C)



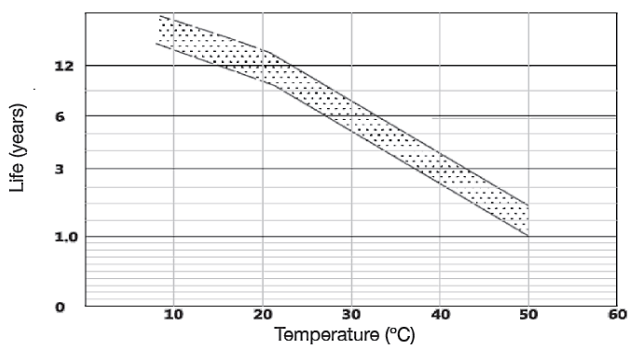
Cycle Service Life in Relation to Depth of Discharge



Relationship Between OCV and Residual Capacity (20°C)



Temperature Effects on Float Life



Self Discharge Characteristics

