

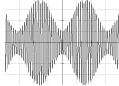
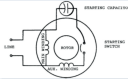


CONTENS

- 1. Security Tips..... 1
- 2. Technical Specification 1
- 3. Product Model 1
- 4. Appearance and Dimension..... 2
- 5. Solar Pump Controller Wiring 3
- 6. Basic Operation..... 4

<p>F2.00 : 1 F0.02 : 1</p>		<p>Terminal control</p>
<p>F2.29: 1</p>		<p>Active relay</p>
<p>FE14: 20.00</p>		<p>Min Frquency</p>
<p>FA.19=00</p>		<p>Single phase motor</p>

1. Security Tips

1. Only qualified personnel can operate the equipment.
2. AC power supply should not be connected with output ports U, V, W, otherwise there is a danger of damage to frequency inverter.
3. After electrified, it is forbidden to contact internal wiring board and its parts. Otherwise it will cause the danger of electric shock
4. User can only operate on it after 5 minutes when cut off power.

2. Technical Specification

Solar pump inverter power(KW)	Pump		Max solar power input (KW)	Max DC input voltage V	Recommend Voc voltage (V)	Rated output current(A)	Output frequency (Hz)
	Rated power (KW)	Rated voltage(V)					
SI22-D1 series, DC60-400VDC input, 3 phase 110-230VAC output, suitable for 110VAC pump							
0.75	0.75	110	1.0	400	175~380	7A	0-320
1.5	1.5	110	1.95	400	175~380	10A	0-320
SI22-D3 series, D60V-400V input, 3 phase 220-240VAC output, suitable for 220VAC pump							
0.75	0.75	220	1.0	400	360~400	4A	0-320
1.5	1.5	220	1.95	400	360~400	7A	0-320
2.2	2.2	220	2.86	400	360~400	10A	0-320

Note: SI22 products can also drive single phase pump and please select the current-matched model.

3. Product Model

SI22 - D1 - 1R5G

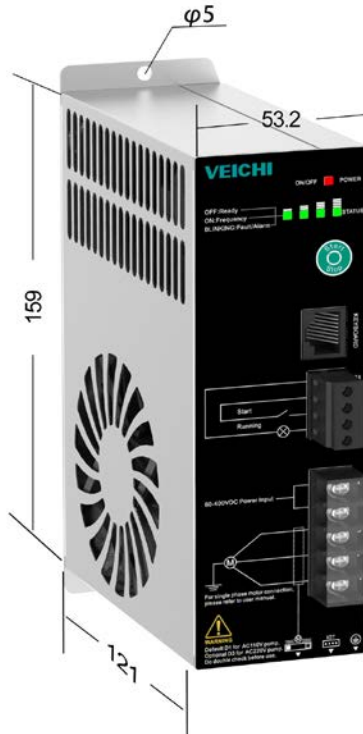
Product Series	
SI	Solar Pump Inverter
22	Series No.

Type	
D3	DC311V, suitable for driving AC220V pump
D1	DC156V, suitable for driving AC110V pump

Power	
Code	Suitable Pump
R75G	0.75kw
1R5G	1.5kw
2R2G	2.2kw

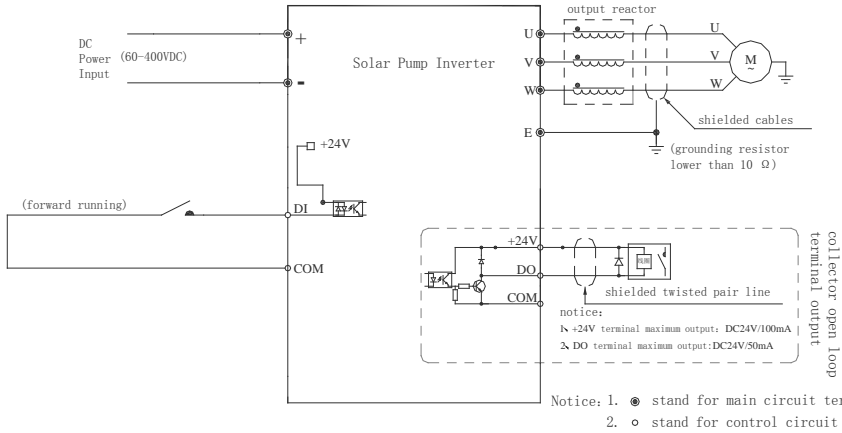
注: Maximum power of D1: 1.5kw;
Maximum power of D3: 2.2kw.

4. Appearance and Dimension

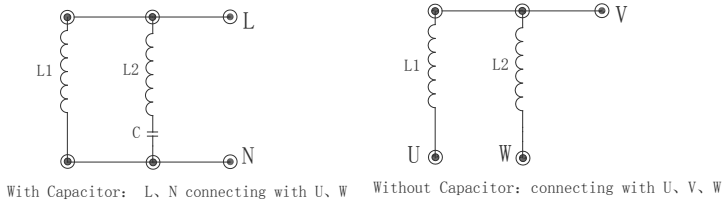


5. Solar Pump Controller Wiring

● Standard Wiring for three phase motor



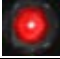


● Connection for single phase motor






Note: The first connection solution for better performance is recommended.

6. Basic Operation

● Indicator and Key

Icon	Name	Function
	Power	ON: The power is 60-400VDC. OFF: Power is abnormal.
	Status	OFF: It is ready to run; BLINKING: Fault or alarm comes; ON: The four indicators will be on in turn and stand for output frequency is approaching to 30%、50%、70%、90% of rated frequency in sequence
	Start/Stop	OFF Status: Press it to run ON Status: Press it to stop BLINKING Status : Press it to reset

● Dial-up and External Port:

Icon	Name	Function
	Keyboard	Support optional keyboard
	IOT	Support optional IOT to access to online monitoring, offline data storage and WIFI hotspot
	Quick Dial-up	Default D1 for AC110V pump and D3 for AC220VC pump can be selected by quick dial-up (any D1/D3 switch will only take effect after power on again)

● Trial Run

- (1) Please double check the cable connection according to user manual.
- (2) Press “Start/Stop” button to run it, and check whether the pump rotary direction is correct. ;If the direction is correct ,please go to step(4) ; Otherwise , please go to step (3) .
- (3) Press “Start/Stop” button to stop it and change any two cables to adjust the direction ; Press “Start/Stop” button and then it will run smoothly.
- (4) Default setting for Start/Stop will store the operation command while power off. So it will automatically run or stop along with sunrise or sunset.

● Quick Troubleshooting

- (1) Power is still off when connecting power: please check whether the input voltage is 60-400VDC or check cable connections of solar array.
- (2) Status indicator is blinking: please reset it by pressing “START/STOP” for 1 second. Otherwise, please ask for support.